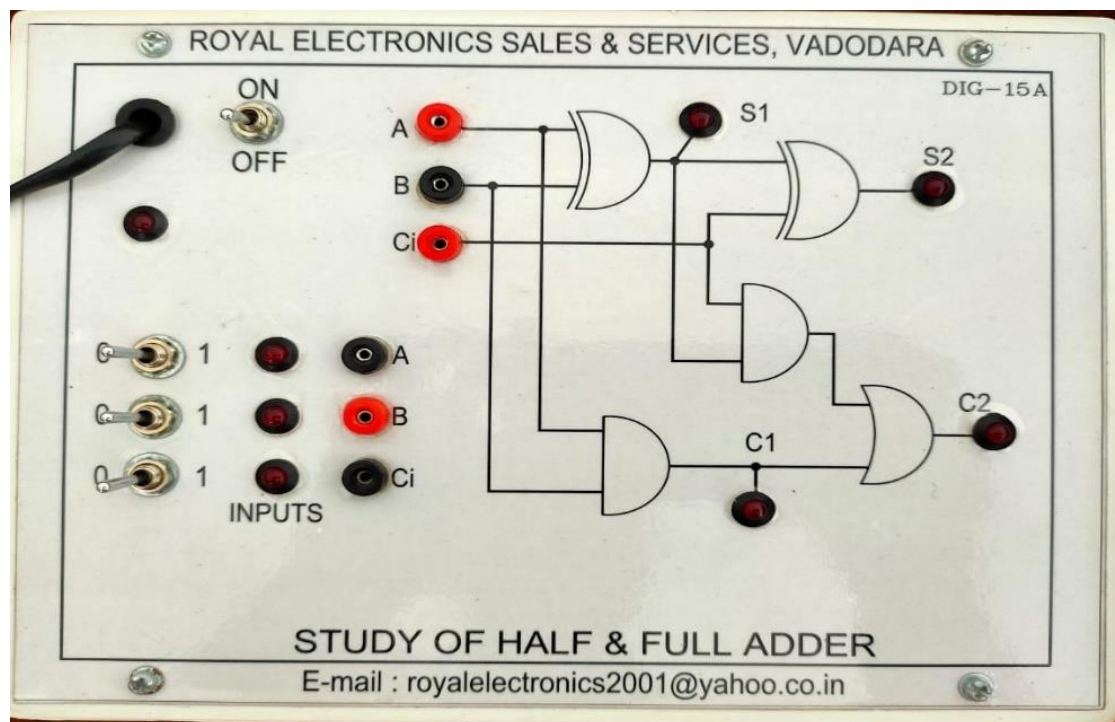




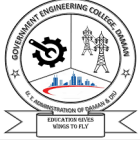
GOVERNMENT ENGINEERING COLLEGE, DAMAN
DEPARTMENT OF ELECTRICAL ENGINEERING
ANALOG AND DIGITAL ELECTRONICS LABORATORY

HALF/FULL ADDER CIRCUIT TRAINER



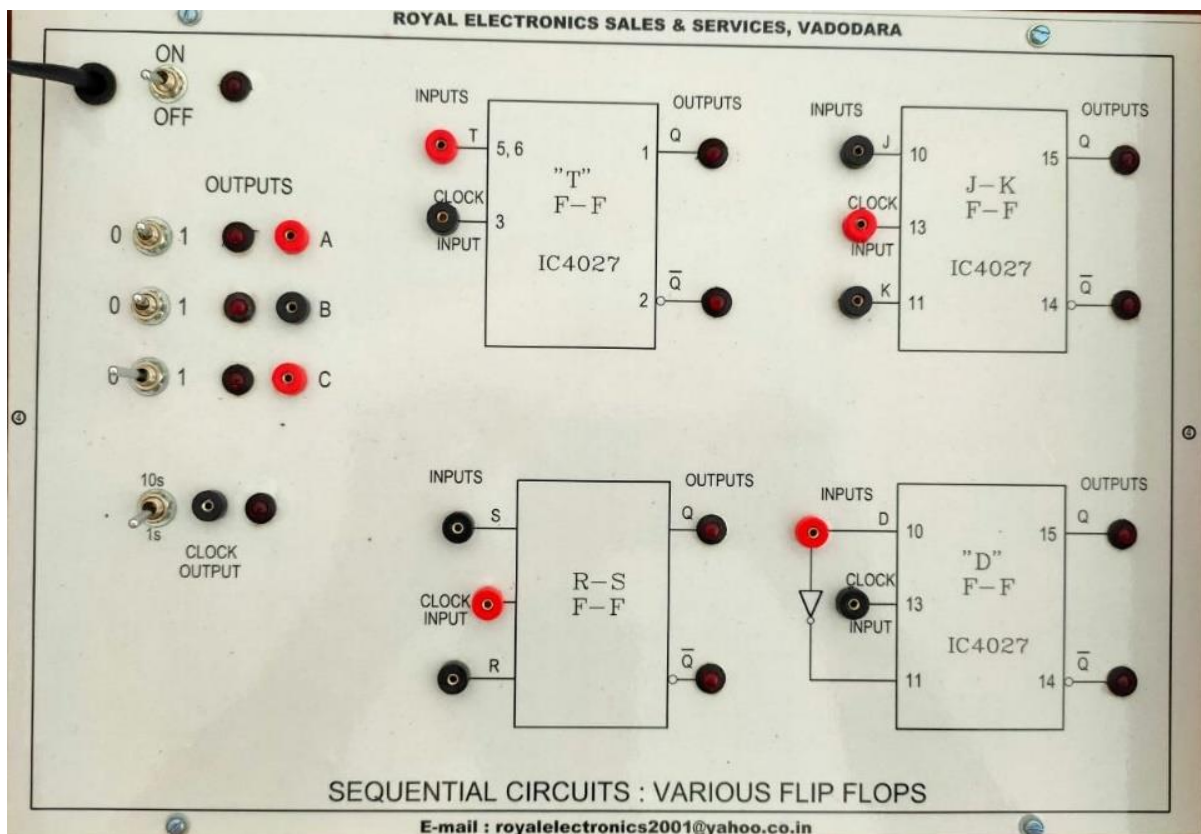
Basic Details: -

Half adder circuit and full adder circuit can be designed.



GOVERNMENT ENGINEERING COLLEGE, DAMAN
DEPARTMENT OF ELECTRICAL ENGINEERING
ANALOG AND DIGITAL ELECTRONICS LABORATORY

FLIP FLOPS TRAINER KIT



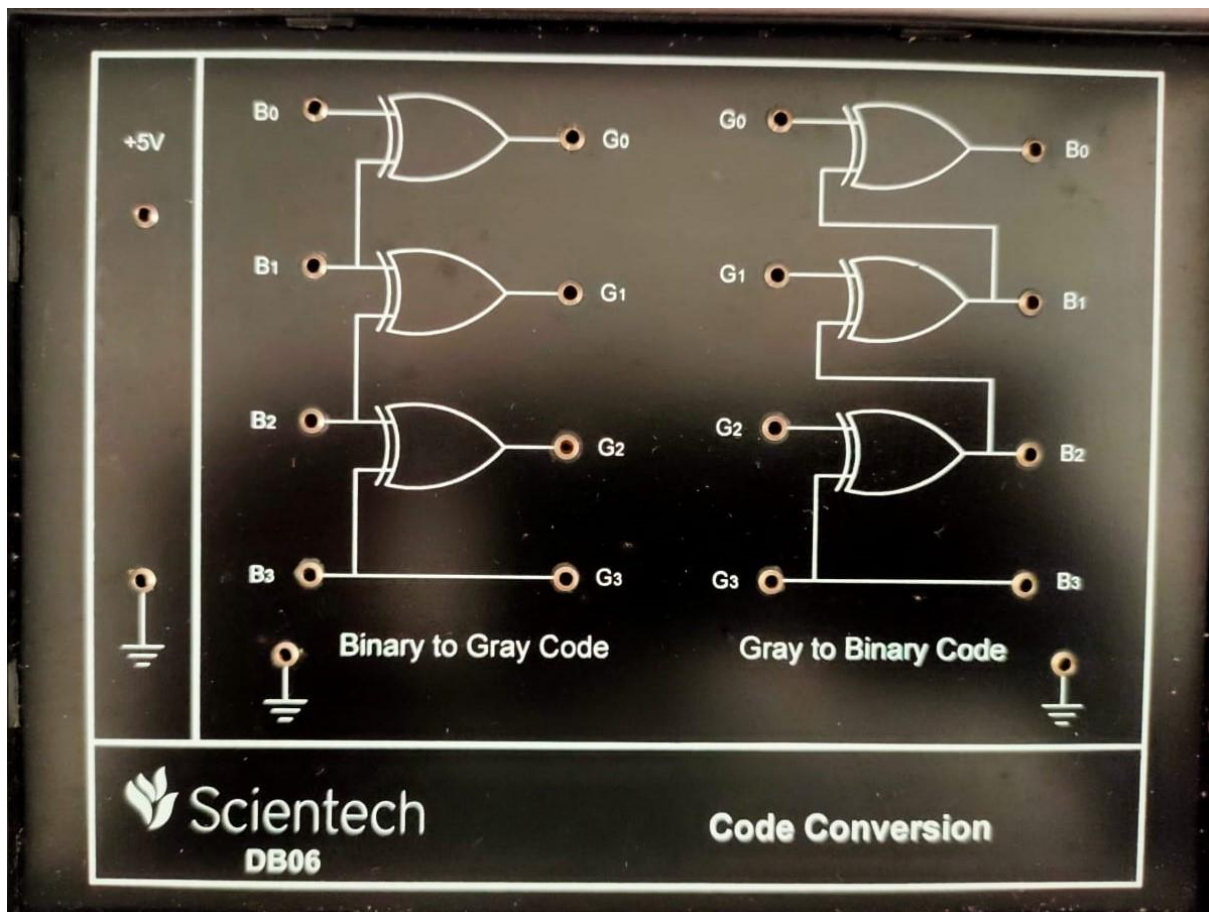
Basic Details: -

'T' flip flop, 'D' flip flop, 'J-K' flip flop and 'R-S' flip flop can be designed.



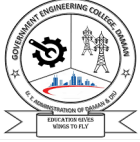
GOVERNMENT ENGINEERING COLLEGE, DAMAN
DEPARTMENT OF ELECTRICAL ENGINEERING
ANALOG AND DIGITAL ELECTRONICS LABORATORY

BINARY CODE TO GRAY CODE/GRAY CODE TO BINARY CODE
CONVERSION EXPERIMENT BOARD



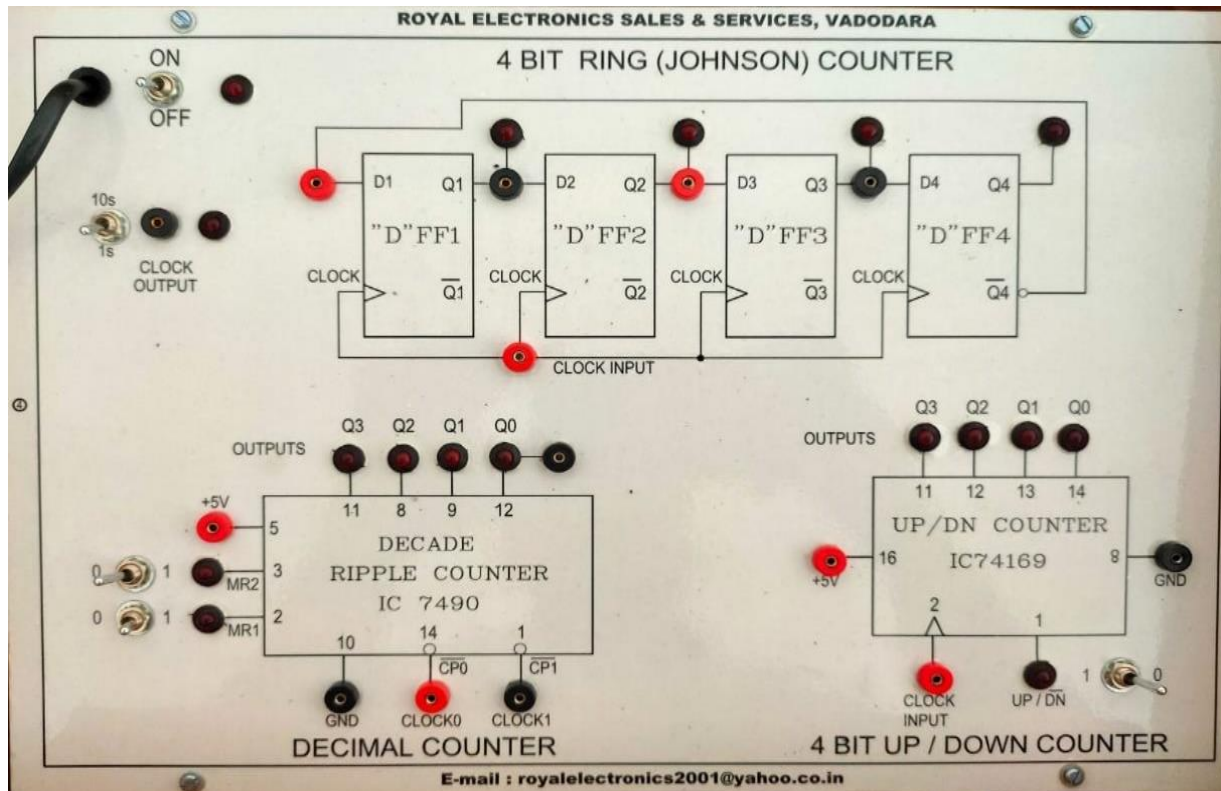
Basic Details: -

Binary code to gray code and gray code to binary code conversion is performed.



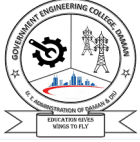
GOVERNMENT ENGINEERING COLLEGE, DAMAN
DEPARTMENT OF ELECTRICAL ENGINEERING
ANALOG AND DIGITAL ELECTRONICS LABORATORY

4 BIT SYNCHRONOUS UP / DOWN COUNTER EXPERIMENT BOARD



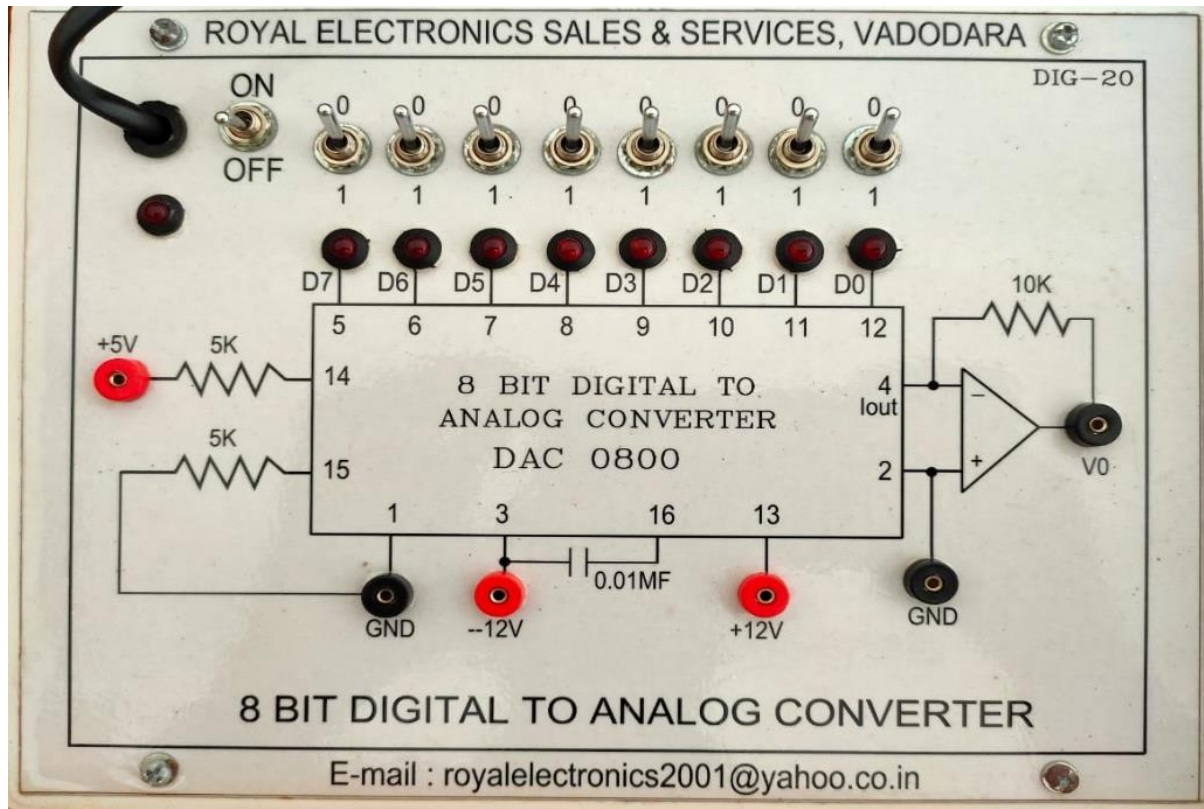
Basic Details: -

Experiments of Johnson counter, Decimal Counter, 4 bit UP/DOWN Counter can be performed.



GOVERNMENT ENGINEERING COLLEGE, DAMAN
DEPARTMENT OF ELECTRICAL ENGINEERING
ANALOG AND DIGITAL ELECTRONICS LABORATORY

8 BIT DIGITAL TO ANALOG CONVERTER EXPERIMENT BOARD



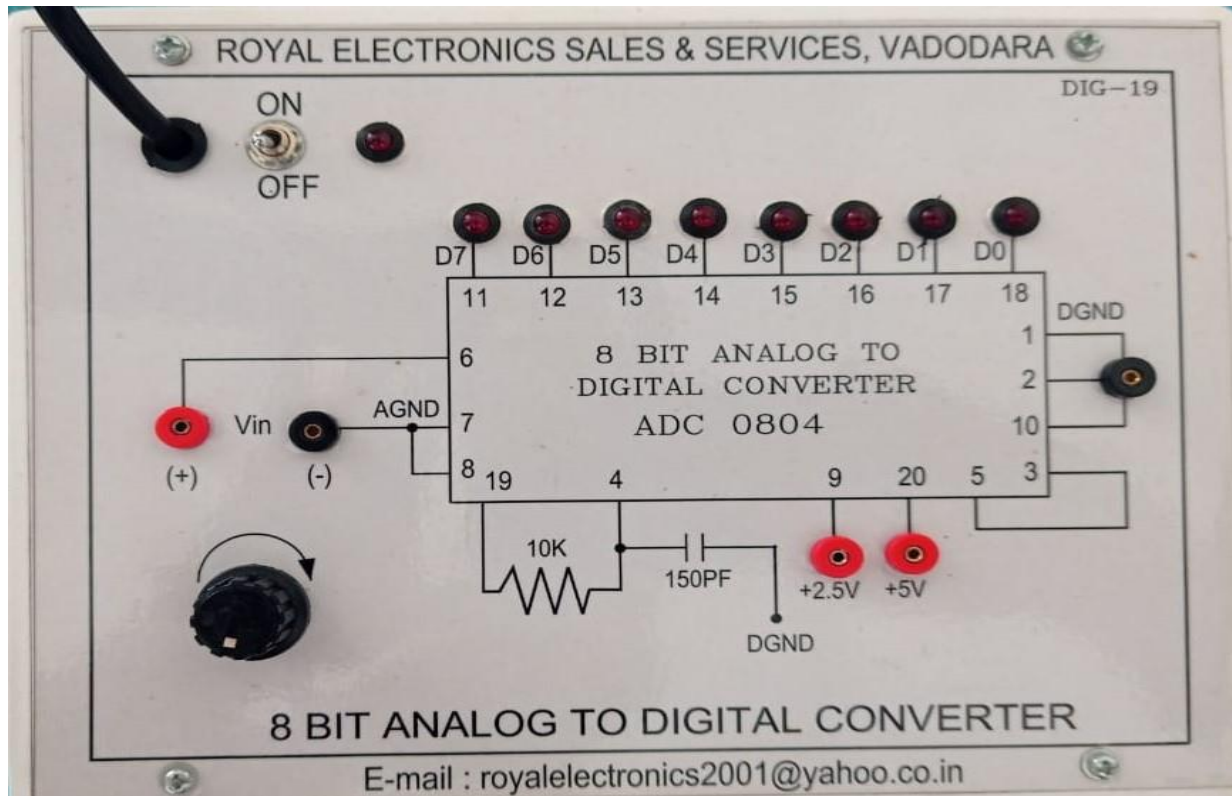
Basic Details: -

Digital to analog conversion of 8 bit data is possible in this experiment board.



GOVERNMENT ENGINEERING COLLEGE, DAMAN
DEPARTMENT OF ELECTRICAL ENGINEERING
ANALOG AND DIGITAL ELECTRONICS LABORATORY

8 BIT ANALOG TO DIGITAL CONVERTER EXPERIMENT BOARD



Basic Details: -

Analog data to digital data conversion of 8-bit data is possible in this experiment board.